

SPLENDOUR

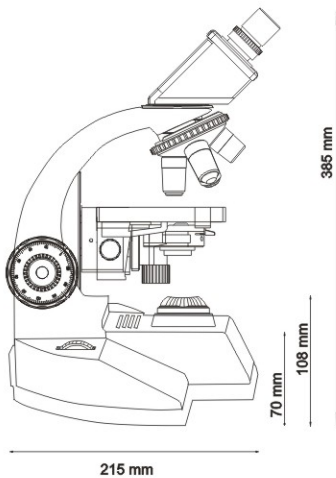
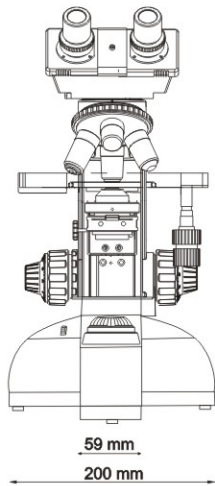
Lab Microscopy Solutions



LABOVISION™

Worlds Within™

SPECIFICATIONS



STAND	C shaped, corrosion resistant, Anti mould treated stand with modular base
NOSEPIECE	Quintuple, Revolving nosepiece, with rubber grip
VIEWING BODIES	45° Inclined Binocular / Monocular / Dual View tubes, 360° rotatable, IPD 55-75 mm and dioptic adjustment
MECHANICAL STAGE	Double Plate 142mm×133mm. X-Y travel 76mm×50mm, spring clip Double Slide holder
CONDENSER	Movable ABBE condenser, with aspheric lens NA 1.25 , daylight blue filter & Iris diaphragm
FOCUSING SYSTEM	Ergonomic low position co-axial coarse and fine focusing system on ball bearing guideways. Tension adjustment ring and Auto Focus provided
ILLUMINATION	Detachable Illumination, 6V 20W Halogen Lamp, with Power Input 220V AC transformer Optional Universal Power Supply 100 V to 240 V, AC 50-60 Hertz, CE Compliant
EYEPIECES	WF 10X/18mm . Anti Mould Treated. Optional WF 15x/16mm, WF 20x/12mm
OBJECTIVES	BJ series Semi Plan Achromatic, Anti Mould Treated, 4x/NA 0.10, 10x/NA 0.25, 40x/NA 0.65 SL, 100x/NA 1.25 SL, Oil. Optional 20x/ NA 0.40 SL, 60x/NA 0.85 SL
ACCESSORIES	Polarizing Kit, Phase Contrast Kit, ½" Video Adapter for use with Dual View Tube, Plano Concave Reflector Mirror, LED illumination system



Corporate Office:

LABEX K.K. INTERNATIONAL

128, H.S.I.D.C. Industrial Estate

Ambala Cantt. 133 006 Haryana.

Tel : + 91-171-2699 468

Fax: + 91-171-2699 421

E-mail: sales@labovision.com

website : www.labovision.com

