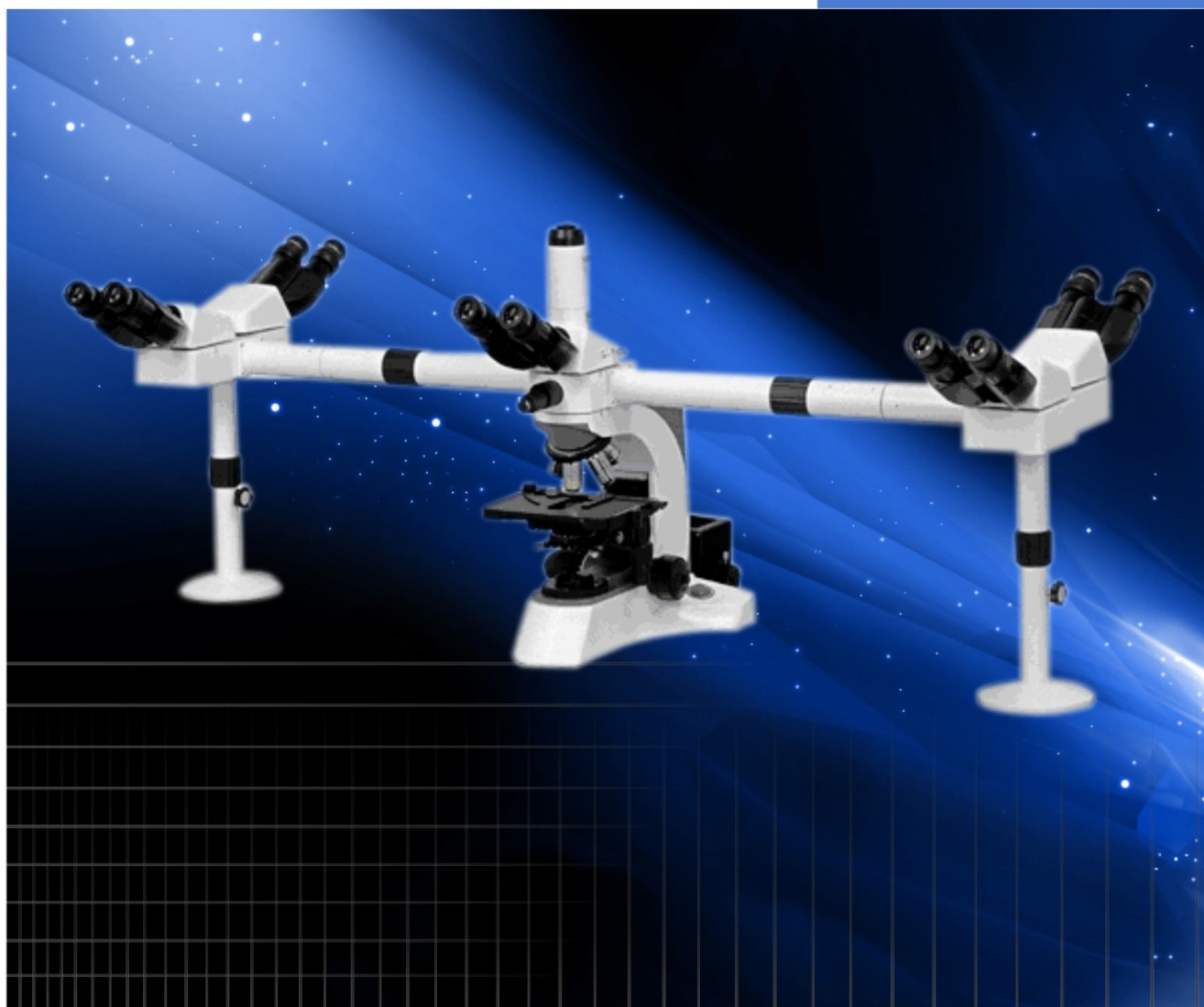


AXR 51

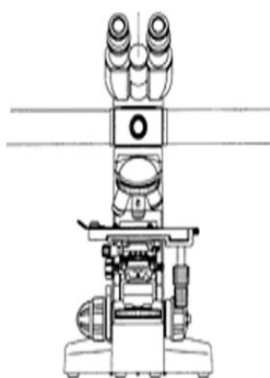
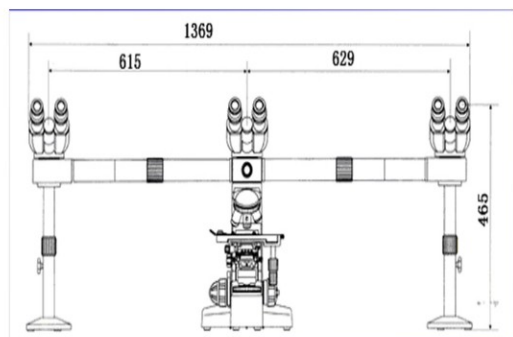
Research Microscopy Solutions



LABOVISION™

Worlds Within™

SPECIFICATIONS



OPTICAL SYSTEM	Infinity Optical System (IOS)
STAND	C shaped, corrosion resistant, Anti Fungus treated, single mould modular stand
NOSEPIECE	Quintuple, Reversed (Inward Tilt) nosepiece
VIEWING HEADS	30° Inclined Siedentopf Trinocular tube, 360° rotatable, IPD 48-75 mm with dioptic adjustment. 30° Inclined Siedentopf Binocular tubes, 360° rotatable, IPD 48-75 mm with dioptic adjustment, 4 heads
MECHANICAL STAGE	Double Plate 185mm×142mm. X-Y travel 75mm×55mm
CONDENSER	Swing condenser, with aspheric lens NA 0.9/0.25 & daylight blue filter.
FOCUSING SYSTEM	Ergonomic low position co-axial coarse and fine focusing system on ball bearing guide ways. Tension adjustment ring and unique Focus lock provided
ILLUMINATION	External Koehler Illumination, 12V 50W Halogen Lamp, Universal Power Supply 100 V to 240 V, AC 50-60 Hertz, CE Compliant.
EYEPIECES	WF 10X/20mm with Eye-guards (10 Units)
OBJECTIVES	Infinity Objectives, Semi Plan / Full Plan / Phase Plan Achromats
AXR 51 - IP Plan	4x/NA 0.10, 10x/NA 0.25, 40x/NA 0.65 SL, 100x/NA 1.25 SL, Oil
POINTER	Green Electric Pointer Unit, Brightness Adjustable
ACCESSORIES	Flip Top Condenser, Phase Contrast Kit, Dark Field Kit, Fluorescence attachment, Green filter, Polarizing kit, Video adapter, Photo adapters for 35mm SLR camera, CCD Camera and Digital Still Camera, 10x Photo eyepiece



Corporate Office:
LABEX K.K. INTERNATIONAL
 # 128, H.S.I.D.C. Industrial Estate
 Ambala Cantt. 133 006 Haryana.
 Tel : + 91-171-2699 468
 Fax: + 91-171-2699 421
 E-mail: sales@labovision.com
 website : www.labovision.com

