

AX 21

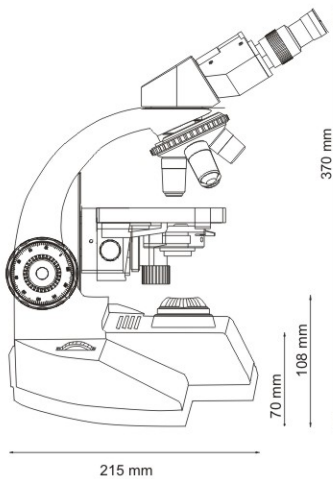
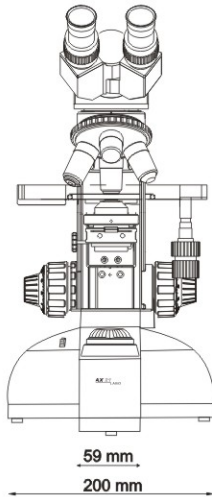
Lab Microscopy Solutions



LABOVISION™

Worlds Within™

SPECIFICATIONS



OPTICAL SYSTEM	Infinity Optical System (IOS)
STAND	C shaped, corrosion resistant, Anti mould treated stand with modular base
NOSEPIECE	Quintuple, Revolving nosepiece, with rubber grip
VIEWING BODIES	30° Inclined Siedentopf Binocular / Trinocular tubes, 360° rotatable with IPD 55-75 mm and dioptic adjustment
MECHANICAL STAGE	Double Plate 142mm×133mm. X-Y travel 76mm×50mm, spring clip Double Slide holder
CONDENSER	Movable ABBE condenser, with aspheric lens NA 1.25 & daylight blue filter & Iris diaphragm
FOCUSING SYSTEM	Ergonomic low position co-axial coarse and fine focusing system on ball bearing guideways. Tension adjustment ring and Auto Focus provided
ILLUMINATION	Koehler Illumination, 6V 20W Halogen Lamp, with Power Input 220V AC transformer Optional Universal Power Supply 100 V to 240 V, AC 50-60 Hertz, CE Compliant
EYEPIECES	WF10X/18mm with Eye-guards. Anti Mould Treated. Optional WF15x/16mm, WF20x/12mm
OBJECTIVES	Infinity Objectives, Full Plan / Phase Plan Achromats, Anti Mould Treated IP Plan 4x/NA 0.10, 10x/NA 0.25, 40x/NA 0.65 SL, 100x/NA 1.25 SL, Oil IPP Phase Plan 10x/NA 0.25, 20x/ NA 0.40, 40x/NA 0.65 SL, 100x/NA 1.25 SL, Oil Optional 20x/ NA 0.40 SL, 60x/NA 0.85 SL
ACCESSORIES	Dual viewing attachment, Phase Contrast Kit, Dark Field Kit, Fluorescence attachment, Green filter, Polarizing kit, Video adapter, Photo adapters for 35mm SLR camera, CCD Camera and Digital Still Camera, 10x Photo eyepiece



Corporate Office:
LABEX K.K. INTERNATIONAL
 # 128, H.S.I.D.C. Industrial Estate
 Ambala Cantt. 133 006 Haryana.
 Tel : + 91-171-2699 468
 Fax: + 91-171-2699 421
 E-mail: sales@labovision.com
 website : www.labovision.com

